

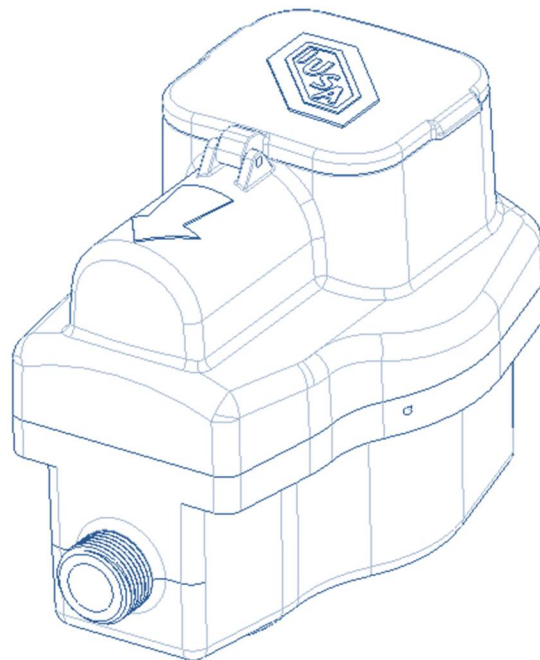
## Residential cold water meter

### Velocity - Type

Stellum-MAPP-FLU- $\frac{1}{2}$  x  $\frac{3}{4}$

---

## SPECIFICATIONS



## 1. Features

---

- High precision that allows the registration of the small flows.
- Measurement by fluidic oscillator.
- Check valve.
- Post-payment mode.
- Inner valve for the opening or closing the water flow.
  - Limited service in the presence of debt,
  - Opening of the service to pay off outstanding debts.
- Smart Card for the transfer of information between the meter and the management software.
- BLE technology (Bluetooth Low Energy) for the transfer of information between the meter and management software.
- FCC Certified WAP2005.
- Liquid crystal display screen (LCD) to display indicators
  - Total consumption,
  - Monthly consumption,
  - Debts,
  - Cut off Dates,
  - Date and time,
  - Flow,
  - Battery status,
- Led indicator.
- Alarm with LCD and / or LED
  - Payment Due,
  - Unauthorized access to the inside of the meter.
- Corrosion-resistant materials (engineering plastic).
- Comply standard AWWA C713-10.
- Date and time of past events.
- Ability to retain information even without power.
- Lithium Battery with approximate duration of 5 years.
- The meter should be installed away from sources of heat.
- The meter should be installed with the arrow pointing to the direction of the water flow.
- Ensure that the pipe is securely fixed to avoid vibration.
- Note: The final product has 2 options for the data plate: one in a normal position and the other in an inverted way, this at request of our clients.

## 2. Technical features

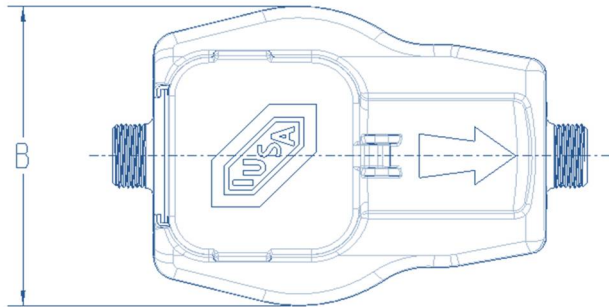
Position	Horizontal	
Meter size	$\frac{1}{2}$ x $\frac{3}{4}$ in	(13 x 20 mm)
Maximum operating pressure	150 psi	(1,050 kPa)
Standard	AWWA C713-10	
Unit of measurement	Cubic feet	(ft <sup>3</sup> )
Maximum Register	9999999.99	ft <sup>3</sup>
Maximum temperature	80° F	(27° C) cold water
Maximum Flow (Q <sub>max</sub> )	15 gpm	(3.4 m <sup>3</sup> /hr)
Nominal Flow (Q <sub>nom</sub> )	7.5 gpm	(1.7 m <sup>3</sup> /hr)
Minimum Flow (Q <sub>min</sub> )	< $\frac{1}{4}$ gpm	(0.06 m <sup>3</sup> /hr)
Pressure loss at Q <sub>max</sub>	< 15 psi	(103 kPa)

## 3. Testing Recommendations

For hydrostatic pressure test

The plug should be placed at the outlet of the meter to avoid damage the check valve

## 4. Mechanical dimensions



Dimension	Magnitude	Units
A	$7\frac{7}{16}$ (189)	in (mm)
B	$4\frac{27}{32}$ (123)	in (mm)
C	$5\frac{29}{32}$ (150)	in (mm)
D	$4\frac{19}{32}$ (116.5)	in (mm)
E	$1\frac{5}{16}$ (33.5)	in (mm)
Coupling nut	1"	NPSM
Pipe thread	$\frac{3}{4}$ "	in
Weight	3.086(1.4)	lb (kg)

