

## Residential cold water meter

Class C Stellum-MAPP-VOL-3/4, Volumetric

---

### SPECIFICATIONS



Date of publication June 08, 2015

© IUSA 2015

## 1. Features

---

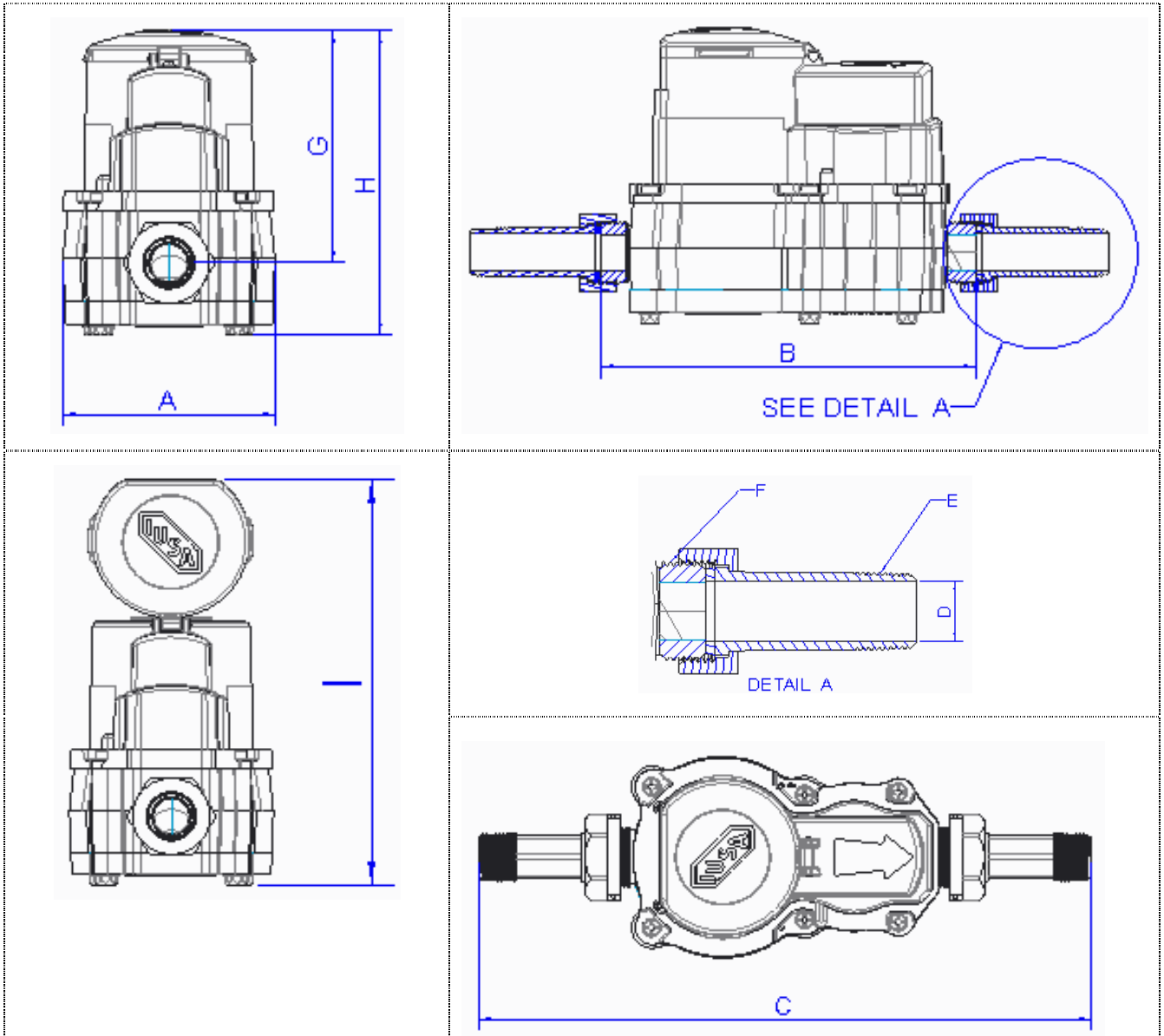
- High precision that allows the registration of the small flows, obtaining a class C,
- Measurement by nutating disc,
- Bi-directional measurement,
- Option of prepayment or post-payment mode,
- Inner valve for the opening or closing the water flow,
  - Limited service when the balance runs out, pre-paid mode.
  - Limited service in the presence of debt, post-payment mode.
  - Opening of the service to apply credit, pre-paid mode.
  - Opening of the service to pay off outstanding debts, post-payment mode.
- Smart Card for the transfer of information between the meter and the management software,
- Liquid cristal display screen (LCD) to display indicators
  - Total consumption,
  - Monthly consumption,
  - Debts,
  - Cut off Dates,
  - Debits,
  - Date and time,
  - Flow,
  - Battery status,
- Led indicator,
- Alarm with LCD and / or LED
  - Low Balance,
  - Payment Due,
  - Unauthorized access to the inside of the meter.
- Corrosion-resistant materials,
- Detection of unauthorized access to the inside of the meter,
- Within standards,
- Date and time of past events,
- Ability to retain information even without power,
- Battery with approximate duration of 5 years.

## 2. Technical features

Position	Horizontal
Class	C
Nominal diameter	¾ in (19.05 mm)
Capacity	1,5 N
Maximum operating pressure	10 bar
Loss of pressure	1.0 bar
Standards	NOM-012-SCFI-1994 ISO/IEC 14443 IP68
Unit of measurement	Cubic feet (ft <sup>3</sup> )
Maximum Register	9999,99 ft <sup>3</sup>
Minimum Resolution	0.035 ft <sup>3</sup> (0.01 lt)
Maximum temperature	86° F (30° C)
Minimum Flow	0.530 ft <sup>3</sup> /hr (15 lt/hr *)
Transition Flow	0.795 ft <sup>3</sup> /hr (22.5 lt/hr *)
Nominal Flow	52.973 ft <sup>3</sup> /hr (1500 lt/hr *)
Maximum Flow	105.945 ft <sup>3</sup> /hr (3000 lt/hr *)
Battery	Lithium Battery 19 Ah

\* Note: note: according to the NOM-012 standard

### 3. Mechanical dimensions



Dimensions	Parte #	Magnitude	Units	
Width	A	$4 \frac{9}{32}$	inch	( 108.66 mm )
Long without couplings	B	$7 \frac{43}{64}$	inch	( 195 mm )

## Stellum-MAPP-VOL-3/4



Length with couplings	C	10 <sup>55/64</sup>	inch	( 276 mm )
Inner diameter	D	3/4"	inch	( 19.05 mm )
Connector thread diameter	E	3/4	NPT	---
Meter thread diameter	F	1"-11.5	NPSM	---
Shaft height to the top	G	4 <sup>45/64</sup>	inch	( 119.48 mm )
Total height	H	6 <sup>11/64</sup>	inch	( 156.68 mm )
Total height with lid open	I	8 <sup>43/64</sup>	inch	( 220.18 mm )
Weight without connections	---	3.37	lb	( 1.53 Kg )
Weight with connections	---	4.27	lb	( 1.94 Kg )